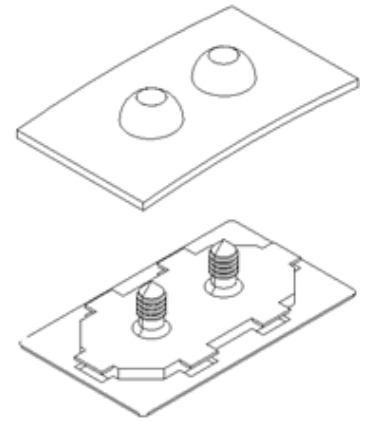


BRANDT™ AX SNAPFAST™ Screen Repair System

DESIGNED WITH FUNCTIONALITY AND RELIABILITY FOR QUICK INSTALLATION

Designed with strong focus on ease of use, functionality and reliability, the AX SNAPFAST screen repair system offers the industry's most advanced and effective screen repair system to the end-user.

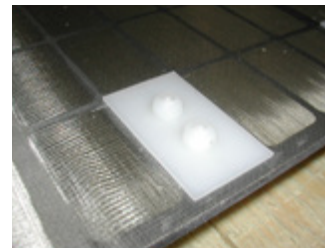
Manufactured using high temperature injection molded plastic, the SNAPFAST repair plug is supplied in two halves; a lower base section which locates through the damaged screen aperture using two raised prongs, and an upper section which locks down onto the base at the upper side of the screen. Application of the plug completely seals the damaged screen aperture, eliminating any risk of solids bypass and allowing immediate screen re-use.



FEATURES AND BENEFITS

- Quick and immediate installation, allowing 'mid-operation' screen repair.
- Extremely simple fitting procedure, encourages regular screen repair.
- No requirement for silicon's or resin's used in traditional screen repair methods, which are not chemical/heat resistant and take time to apply and set.
- Reduces the number of screens in operation or 'flight' through reduced repair turnaround time.

INSTALLATION



Nominal Specifications and Dimensions

Max. no. plugs per screen (i.e. prior to recommended disposal)	20% (e.g. qty-48 per AX or V3 screen)
Installation requirements	1-off Axiom supplied screen installation tool
Suitable screen types	AX Screening system, AX 100PLUS, AX 300PLUS, AX Mongoose, AX Cobra