

NOV thoroughly researches all products and ensures that they adhere to the highest quality and safety standards. NOV has been audited and approved by the American Petroleum Institute (API) to monogram equipment to API 6A.



## NOV® ANSON A REPUTATION FOR QUALITY AND RELIABILITY

NOV ANSON quality assurance and management systems achievements, past and present:

**BS.5750 Part 1** British Standards Specification for Design/Development, Production, Installation, and Servicing. Original qualification date 1986.

**NS.5801** Norske Standard Specification for Design/Development, Production, Installation, and Servicing. Original qualification date 1986.

**ISO 9001 1987** International Standards Organization. Model for Quality Assurance in Design/Development, Production, Installation, and Servicing. Original qualification date 1988.

**NS ISO.9001 1988** Norske Standard as ISO.9001-1987. Original qualification date 1989.

**BS.EN.ISO.9001:2008** New Specification covering ISO.9001 became effective in December 2003. NOV ANSON reassessed and qualified July 2003.

**API.Q1** American Petroleum Institute, Specification for Quality Programs. Original qualification date 1992.

**RAAD VOOR DE CERTIFICATIE (RVC)** Since July 1986 all BS, ISO, NS and EN Certificates have been endorsed with the Netherlands Certification Councils RVC Accreditation Mark.

**PED PED97/23/EC Module H** — NOV ANSON qualified to CE mark Pressure equipment in accordance with EU directive — Original approval May 2002.

**ASME B31.3** American Society of Mechanical Engineers. Original qualification date 1992.

**ASME B31.4** American Society of Mechanical Engineers. Original qualification date 1992.

**ASME B31.12** American Society of Mechanical Engineers. Original qualification date 1992.

**ASME B31.3S** American Society of Mechanical Engineers. Original qualification date 1992.

**ASME B31.4S** American Society of Mechanical Engineers. Original qualification date 1992.

**ASME B31.12S** American Society of Mechanical Engineers. Original qualification date 1992.

**ASME B31.3S-2008** American Society of Mechanical Engineers. Original qualification date 1992.

**ASME B31.4S-2008** American Society of Mechanical Engineers. Original qualification date 1992.

**ASME B31.12S-2008** American Society of Mechanical Engineers. Original qualification date 1992.

**ASME B31.3S-2008** American Society of Mechanical Engineers. Original qualification date 1992.

**ASME B31.4S-2008** American Society of Mechanical Engineers. Original qualification date 1992.

**ASME B31.12S-2008** American Society of Mechanical Engineers. Original qualification date 1992.

**ASME B31.3S-2008** American Society of Mechanical Engineers. Original qualification date 1992.

**ASME B31.4S-2008** American Society of Mechanical Engineers. Original qualification date 1992.

**ASME B31.12S-2008** American Society of Mechanical Engineers. Original qualification date 1992.

**ASME B31.3S-2008** American Society of Mechanical Engineers. Original qualification date 1992.

**ASME B31.4S-2008** American Society of Mechanical Engineers. Original qualification date 1992.

**ASME B31.12S-2008** American Society of Mechanical Engineers. Original qualification date 1992.

**ASME B31.3S-2008** American Society of Mechanical Engineers. Original qualification date 1992.

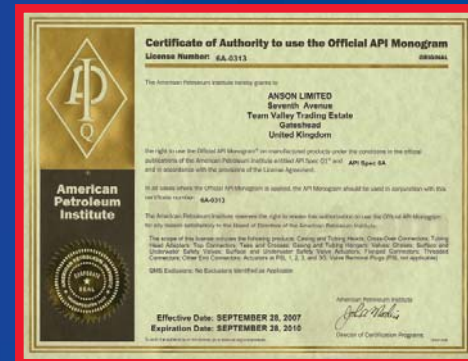
**ASME B31.4S-2008** American Society of Mechanical Engineers. Original qualification date 1992.

**ASME B31.12S-2008** American Society of Mechanical Engineers. Original qualification date 1992.

**ASME B31.3S-2008** American Society of Mechanical Engineers. Original qualification date 1992.

**ASME B31.4S-2008** American Society of Mechanical Engineers. Original qualification date 1992.

**ASME B31.12S-2008** American Society of Mechanical Engineers. Original qualification date 1992.



## Health, Safety and Environment

NOV recognizes the importance of health, safety, and environment in its activities as well as the activities of its customers and has established detailed manuals for each discipline. The safety manual encompasses risk assessments, safe working procedures, and extensive training programs. The environmental manual includes the necessary procedures, including measurable objectives and targets, to comply with current legislation and codes of practice.

### Corporate Headquarters

7909 Parkwood Circle Drive  
Houston, Texas 77036  
United States  
Phone: 713 375 3700  
Fax: 713 346 7687

### United States

**Colorado**  
Grand Junction  
Phone: 970 243 7300  
Fax: 970 243 8360

**Louisiana**  
Houma  
Phone: 985 876 0880  
Fax: 985 876 0110

**Lafayette**  
Toll Free: 800 544 3437  
Phone: 337 233 9310  
Fax: 337 233 1301

**New Iberia**  
Phone: 337 365 2582  
Fax: 337 365 0120

**Shreveport**  
Phone: 318 221 7005  
Fax: 318 221 7008

**Oklahoma**  
Oklahoma City  
Phone: 405 670 8771  
Fax: 405 670 8775

**Texas**  
Alice  
Phone: 361 664 2300  
Fax: 361 664 2357

**Fort Worth**  
Phone: 817 696 0800  
Fax: 817 696 0805

**Houston**  
Phone: 713 466 9470  
Fax: 713 466 7482

**Kilgore**  
Phone: 903 983 3531  
Fax: 903 983 5212

**Odessa**  
Phone: 432 333 4196  
Fax: 432 333 4747

**Wyoming**  
Casper  
Phone: 307 472 9884  
Fax: 307 235 9003

### International Locations

**Argentina**  
Monte Grande, Buenos Aires  
Phone: 54 11 4296 8967  
Fax: 54 11 4284 0323

**Brazil**  
Maceo, Rio de Janeiro  
Phone: 55 22 2796 9200  
Fax: 55 22 2773 3631

**Canada**  
Edmonton, Alberta  
Toll Free: 866 885 7867  
Phone: 780 414 7616  
Fax: 780 465 7060

**England**  
Gateshead, Tyne & Wear  
Phone: 44 (0)191 4820022  
Fax: 44 (0)191 4878335

**India**  
Dehradun  
Phone: 91 135 213 1206  
Fax: 606 661 4092

**Mexico**  
Ciudad del Carmen, Campeche  
Phone: 52 938 3828091  
Fax: 52 938 3828091

**Russia**  
Moscow  
Phone: 7 495 775 2540  
Fax: 7 495 981 3470

**Scotland**  
Aberdeen  
Phone: 44 0 1224 771877  
Fax: 44 0 1224 771848

**Singapore**  
Phone: 65 6513 3640  
Fax: 65 6266 6471

**United Emirates**  
Jebel Ali, Dubai  
Phone: 971 4 811 0100  
Fax: 971 4 811 0285

**Venezuela**  
Maracaibo  
Phone: 58 261 736 2636  
Fax: 58 261 736 0326

National Oilwell Varco has produced this brochure for general information only, and it is not intended for design purposes. Although every effort has been made to maintain the accuracy and reliability of its contents, National Oilwell Varco in no way assumes responsibility for liability for any loss, damage or injury resulting from the use of information and data herein. All applications for the material described are at the user's risk and are the user's responsibility. All brands listed are trademarks of National Oilwell Varco.



One Company . . . Unlimited Solutions

mission@nov.com

www.nov.com

© 2009 National Oilwell Varco  
D392002314-MKT-001 Rev. 01

# ANSON® GATE VALVES

## Downhole Solutions

## Drilling Solutions

## Engineering and Project Management Solutions

## Lifting and Handling Solutions

## Production Solutions

## Supply Chain Solutions

## Tubular and Corrosion Control Solutions

## Well Service and Completion Solutions



## ANSON E TYPE GATE VALVES

### API.6A Gate Valves

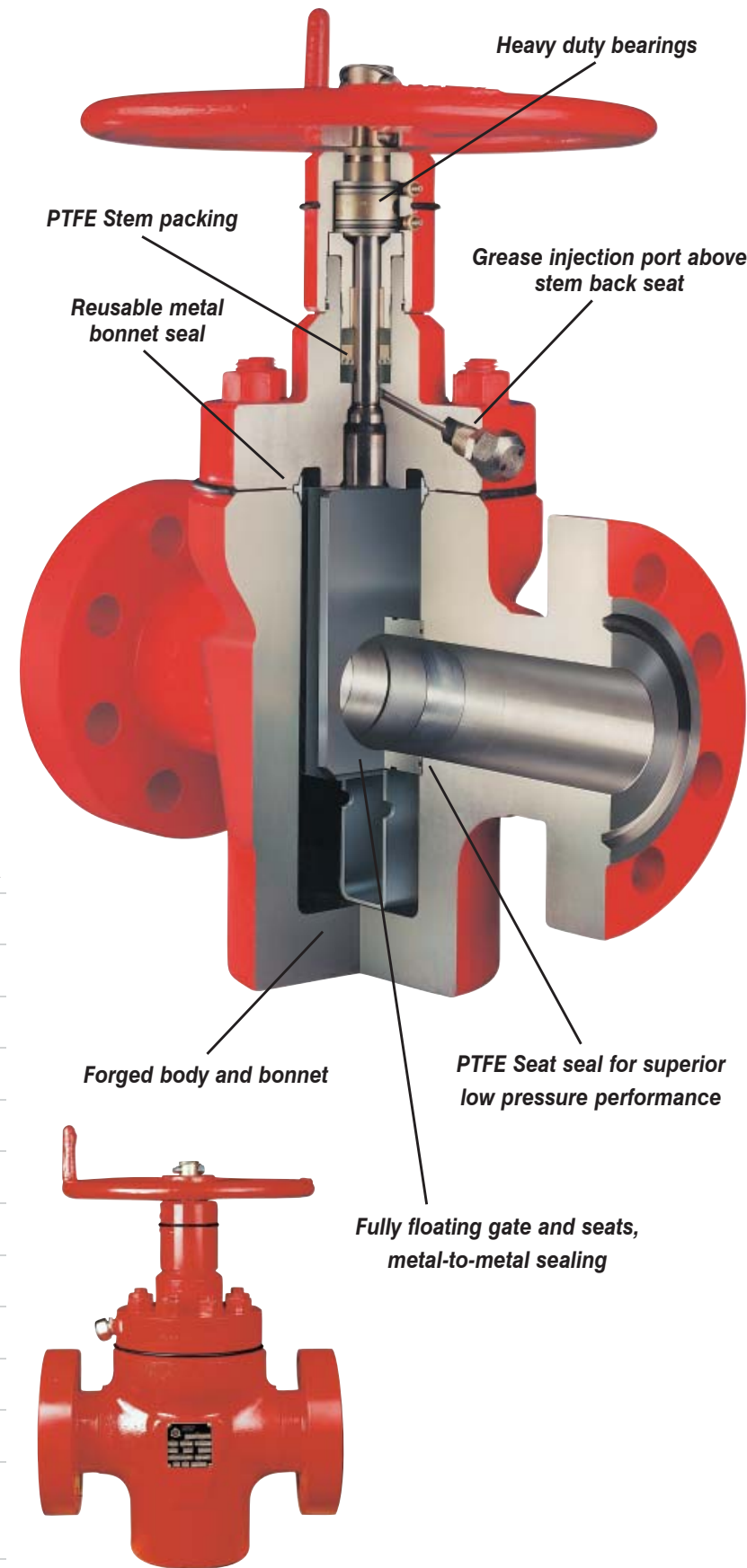
The NOV ANSON 'E' Type Through Conduit Gate Valve has been developed to satisfy the need for a high quality, high specification valve which is reliable and reasonably priced. The NOV ANSON 'E' Type Gate Valve makes full use of modern materials and manufacturing techniques. The valve is robust, easy to maintain, and conforms to international design requirements and quality assurance programs.

The 'E' Type Gate Valve is a monogramable API.6A valve conforming in all aspects to the above mentioned standard.

The initial cost of an NOV ANSON 'E' Type Gate Valve is very competitive, but the longer term cost saving resulting from robustness and low cost of spares makes it the most cost effective valve on the market today.

### STANDARD SPECIFICATION

- Manufactured and tested in accordance with API.6A
- Forged steel body and bonnet
- A true bidirectional valve
- Low operating torque
- Shear pin protected internal works
- Available for service down to -75°F or up to 400°F
- Quick release hand wheel
- API.6A PSL, 1, 2, 3 or 4
- Supplied with full certification
- API.6A Material Classes: All available
- Material Classes DD, EE, FF, HH, to NACE MR-01-75
- Fire-safe design available
- Available from 2000 psi to 15,000 psi in all popular bore sizes



## ANSON ACTUATED GATE VALVES

The NOV ANSON E-Type Gate Valve is available with hydraulic actuation.

Valves can be supplied with spring return fail-safe, open (FSO) or closed (FSC), or double acting cylinders (DA). Both types offer a compact design, are fully weather sealed and available with extras such as position indicators, hydraulic power packs and control systems.

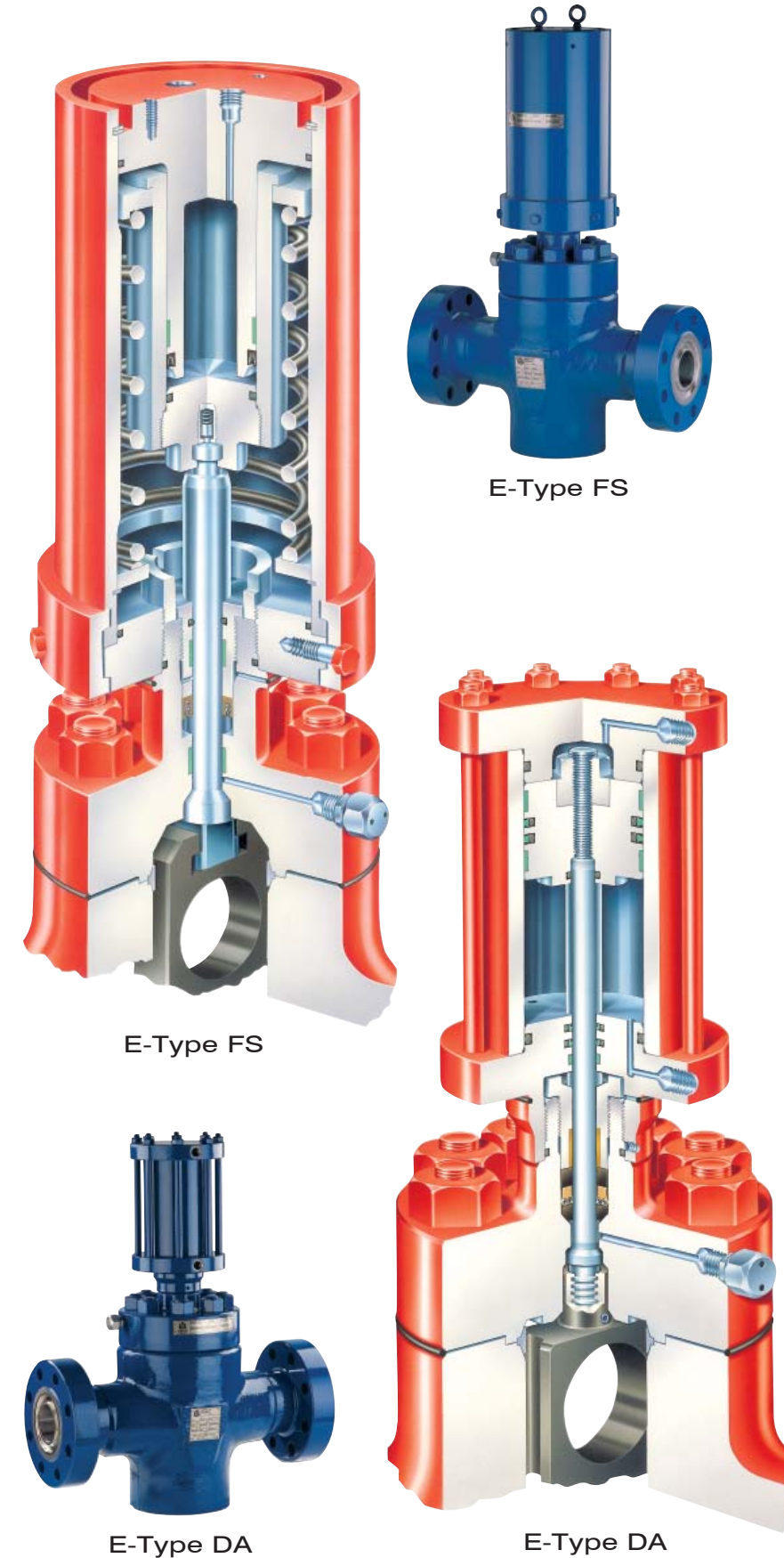
### E-TYPE FSC AND FSO

NOV ANSON E-Type Gate Valves fitted with fail safe spring return actuators offer a flexible solution to surface safety and fail safe applications.

The FS actuator is a self-contained unit that allows for quick removal from the valve bonnet if necessary, when the valve is still under pressure in the line. The design also allows for quick and easy maintenance and no drift adjustment is necessary to set the stroke.

### E-TYPE DA AND DAO

NOV ANSON E-Type Gate Valves fitted with double acting hydraulic cylinders offer simple open/close remote operation and are designated DA or DAO when fitted with a manual override.



## ANSON MUD GATE VALVES

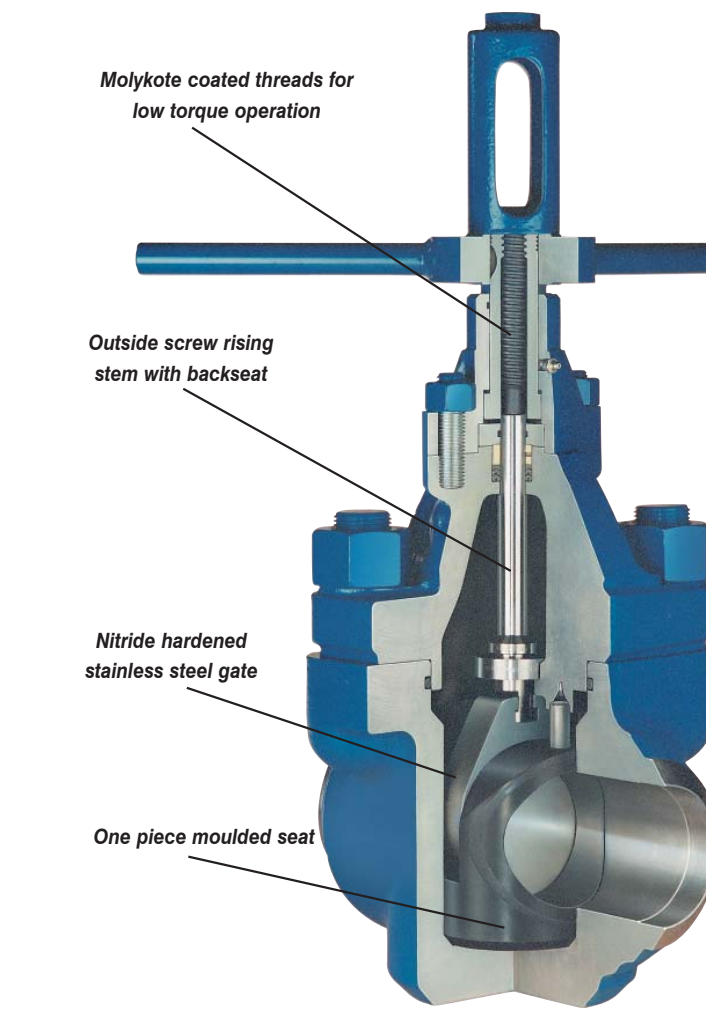
NOV ANSON MUD VALVES are solid gate, rising stem, gate valves with resilient seals. They are purpose-made for mud, cement, fracturing, and water service and are easy to operate and simple to maintain.

### TWO RANGES ARE AVAILABLE.

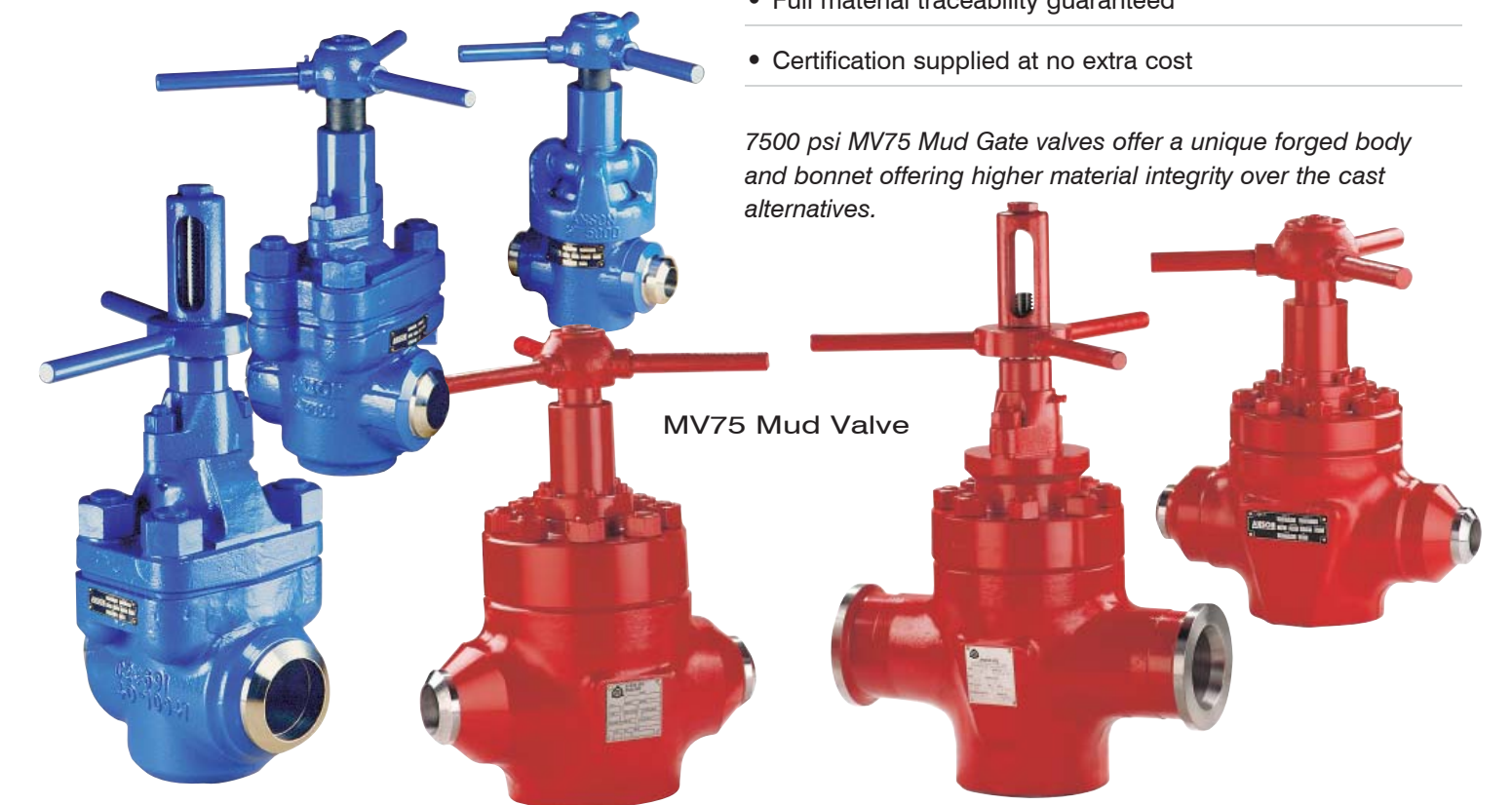
- MV50 - suitable for a maximum working pressure of 5000 psi
- MV75 - suitable for a maximum working pressure of 7500 psi

### SPECIFICATION

- Designed specifically for abrasive and erosive use
- API 6A PSL 1, 2 and 3 available
- Stainless Steel hardened gates as standard
- Stainless or Carbon steel inserts with Nitrile or HNBR elastomer
- Can be supplied with Butt Weld ends, Hammer Union or Hub ends or Flanged end connections
- Sour service models to NACE MR-01-75
- Available with pressure ratings up to 7500 psi in nominal sizes 2" to 6"
- Full material traceability guaranteed
- Certification supplied at no extra cost



MV50 Mud Valve



7500 psi MV75 Mud Gate valves offer a unique forged body and bonnet offering higher material integrity over the cast alternatives.