

NUMBER: 00-10-1-CP

McAlester Engineering

PRODUCT: MISSION 14 x 12 Centrifugal Pump**SUBJECT:** Design change**14x12 CP Case , Cover and Stuffing Box**

Due to recent investigations into product performance and failures, the Case pattern for the 14x12 Centrifugal has been changed to add a 1/4 radius in the area of the case to cover and case to stuffing box gasket counterbore.

Several incidents of cracking and breaking have occurred in that area when a sharp corner is present in the case that increases stress upon installation, running and possible overtorquing.

To help alleviate those problems this change is in effect immediately and will include all materials; High Chrome and Hard Iron.

When using new cases with existing covers or boxes, it will be necessary to radius or chamfer the OD entering the case to 1/4 inch to insure that the gasket is installed and crushed properly. New cases, boxes and covers will incorporate this feature. High Chrome material will be difficult to grind but it is possible due to the extreme approximate 700 Bhn hardness.

Parts affected:	Part No.	Drawing No.
Case AY	662001006	24022
Case HI	653320309	24022
Stuffing Box AY	662014052	24050
Stuffing Box HI ms	653322305	24050
Stuffing Box HI split	654310507	24023
Cover AY	662014051	24021
Cover HI	654310309	24021

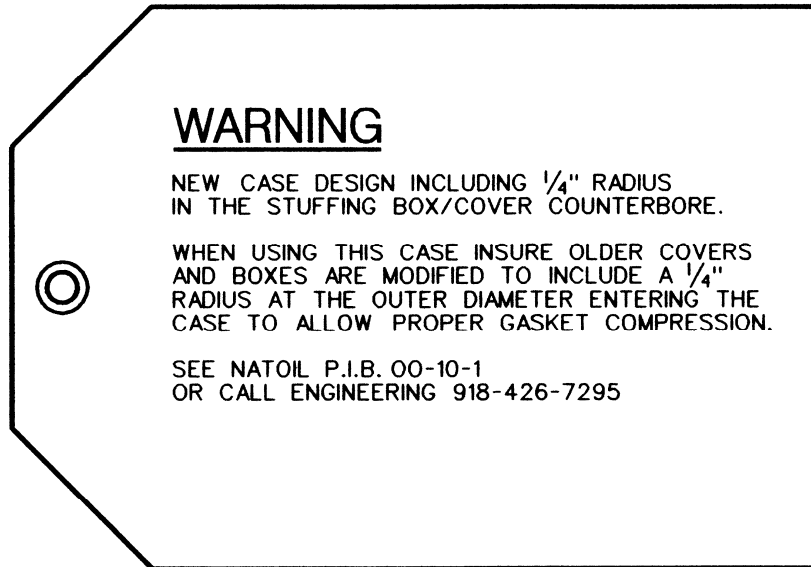
See page 2 for the tag that will be attached to each new AY or HI case shipped from McAlester.

NUMBER: 00-10-1-CP

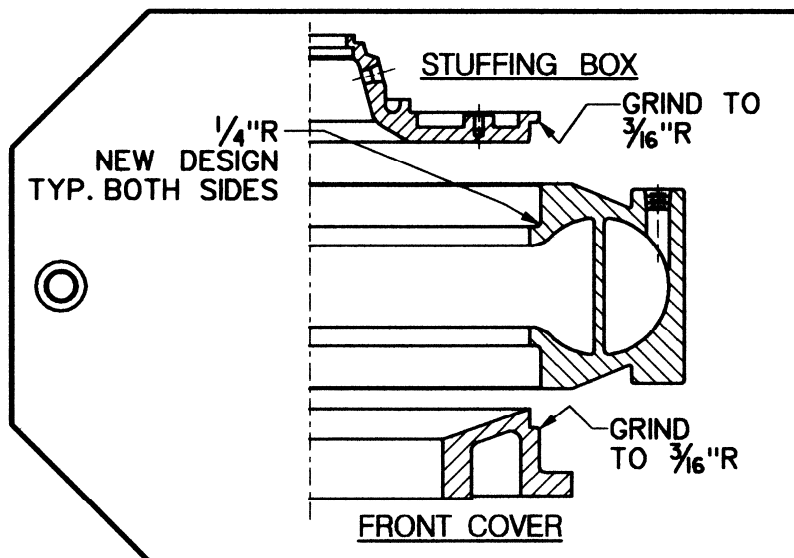
McAlester Engineering

PRODUCT: MISSION 14 x 12 Centrifugal Pump

SUBJECT: Design change



FRONT OF TAG



BACK OF TAG