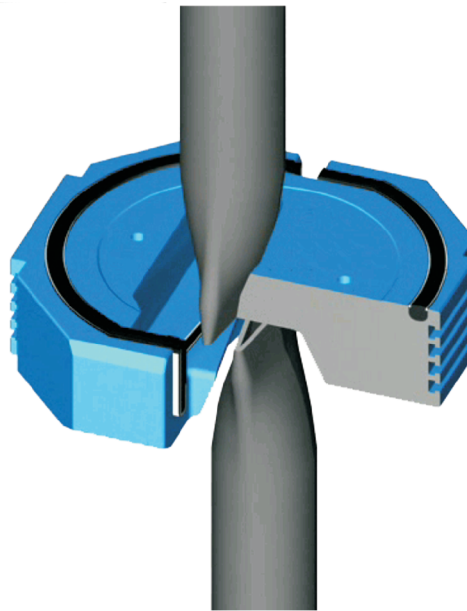


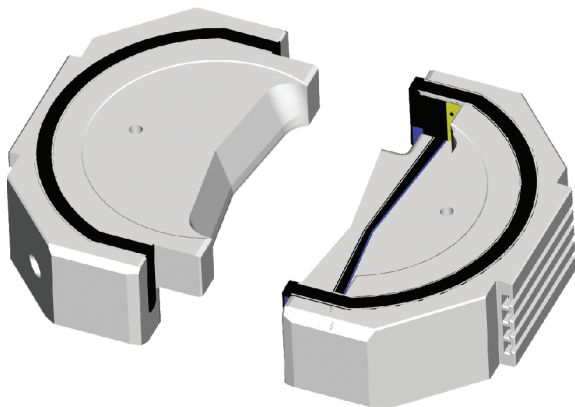
Shaffer™ CVX Shear Rams

The type CVX Shear Ram enhances the features of NOV's Shaffer™ Shear Ram family, assuring multiple shear and sealing sequences while hung off in a cavity below the shear ram cavity. No additional force is required to manipulate the fish. This multiple shear and seal capability enhances shear ram reliability and extends the length of BOP stack deployment. Type CVX Shear Rams are capable of shearing at 20% lower pressures than conventional shear rams.

CVX Shear Rams are designed for durability and convenience, and provides the reliable performance that today's BOP equipment demands. The CVX Shear Rams are offered for large bore, high pressure BOPs.



Type CVX Shear Rams are designed by NOV's Shaffer™ group, a leader in BOP technology.



Shaffer™ CVX Shear Rams

Specifications

Weight	968 lbs (439 kg) [set weight]
Shearing capabilities	Ability to shear up to 9 ⁵ / ₈ " casing Ability to shear up to 6 ⁵ / ₈ " conventional and high strength drill pipe
Temperature range	28° to 180°F (-2.2° to +82.2°C)

SPECIAL FEATURES:

- Multiple shearing capability
- Sealing while in the hang-off position
- No added force required to manipulate the fish
- No seal tearing, when opening against the fish

NOTE:

CVX Shear Rams are available for use with the following size NOV Shaffer™ Ram BOPs:

- 18"-10M SL
- 18"-15M SLX
- 18"-5/10/15M NXT Ram BOPs

www.nov.com / corporatemarketing@nov.com

10000 Richmond Avenue
Houston, Texas 77042
United States
Phone: 713 346 7500
Fax: 713 435 2195

NOV NATIONAL OILWELL VARCO

© 2006 National Oilwell Varco
1098-3M Rev. 02